

## FEATURES

### *Multi-refrigerant*

- Compatible with R410A and R22 refrigerant.

### *High quality heat-exchanger*

- Constructed of enhanced aluminum fins and internally grooved aluminum tubing

### *Insulated cabinet*

- Evaporator coil cabinets are thermally insulated with foil faced insulation to prevent sweating

### *Multi-position installation*

- Cased coil has two drain pans, and can satisfy multi-position installation

*Certification: UL listed*

## MULTI-POSITION ALUMINUM CASED COILS



### Limited Warranty

5 years on unit parts. Unit cost replacement if heat exchanger, condenser coil, evaporator coil (packaged systems only), or compressor fails in the first year. With registration, 10 years on compressor and 20 years on heat exchanger.

*(Limitations apply, see actual warranty for complete details.)*

[www.comfort-air.com](http://www.comfort-air.com) • [www.century-hvac.com](http://www.century-hvac.com)

## MODEL NUMBER GUIDE

|                      |                     |          |  |  |           |          |                |
|----------------------|---------------------|----------|--|--|-----------|----------|----------------|
| <b>M</b>             | <b>A</b>            | <b>A</b> | <b>1836</b>  | <b>A</b>   | <b>S</b>  | <b>1</b> | <b>A</b>       |
| Multi-Position Cased | Aluminum Fin & Tube | A-Coil   | Tonnage:<br>1836 = 1.5-3<br>1842 = 1.5-3.5<br>3042 = 2.5-3.5<br>3642 = 3-3.5<br>3648 = 3-4<br>3660 = 3-6<br>4260 = 3.5-6 | Width:<br>A = 14.5"<br>B = 17.5"<br>C = 21"<br>D = 24.5" | SE Series | Power    | Revision Level |

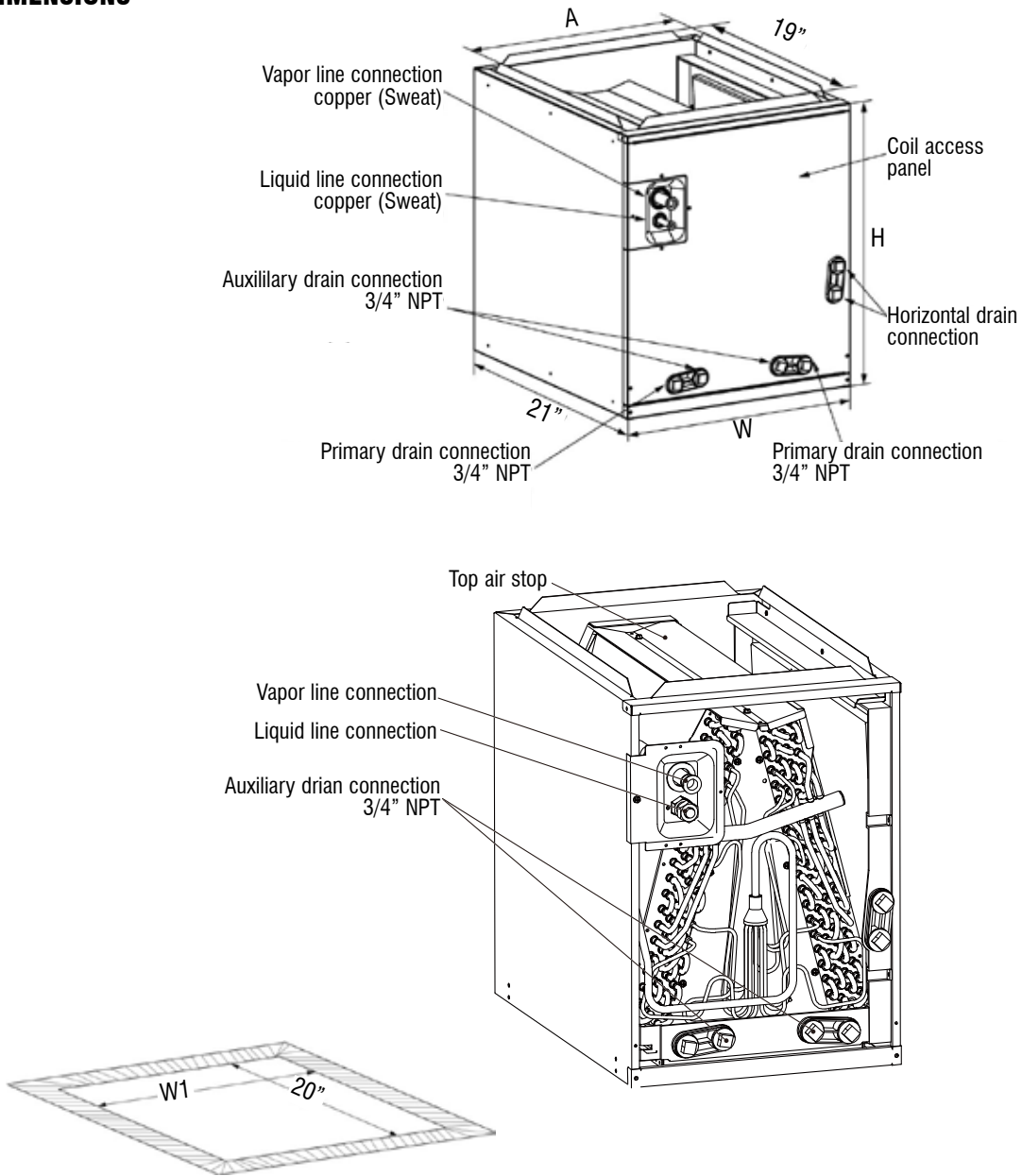
## SPECIFICATIONS

|                                    | MAA1836AS1A       | MAA1836BS1A       | MAA1836CS1A       | MAA1842BS1A       |
|------------------------------------|-------------------|-------------------|-------------------|-------------------|
| Installation                       | Multiple Position | Multiple Position | Multiple Position | Multiple Position |
| <b>EVAPORATOR COIL</b>             |                   |                   |                   |                   |
| Type                               | Tube & Fin        | Tube & Fin        | Tube & Fin        | Tube & Fin        |
| Tube Material                      | Aluminum          | Aluminum          | Aluminum          | Aluminum          |
| Tube Size (in.)                    | 9/32              | 9/32              | 9/32              | 9/32              |
| <b>Refrigerant Connection Size</b> |                   |                   |                   |                   |
| Liquid Line Size (O.D.)            | 3/8               | 3/8               | 3/8               | 3/8               |
| Suction Line Size (O.D.)           | 3/4               | 3/4               | 3/4               | 3/4               |

|                                    | MAA1842CS1A       | MAA3642DS1A       | MAA3042BS1A       | MAA3042CS1A       |
|------------------------------------|-------------------|-------------------|-------------------|-------------------|
| Installation                       | Multiple Position | Multiple Position | Multiple Position | Multiple Position |
| <b>EVAPORATOR COIL</b>             |                   |                   |                   |                   |
| Type                               | Tube & Fin        | Tube & Fin        | Tube & Fin        | Tube & Fin        |
| Tube Material                      | Aluminum          | Aluminum          | Aluminum          | Aluminum          |
| Tube Size (in.)                    | 9/32              | 9/32              | 9/32              | 9/32              |
| <b>Refrigerant Connection Size</b> |                   |                   |                   |                   |
| Liquid Line Size (O.D.)            | 3/8               | 3/8               | 3/8               | 3/8               |
| Suction Line Size (O.D.)           | 7/8               | 7/8               | 7/8               | 7/8               |

|                                    | MAA3648DS1A       | MAA3660CS1A       | MAA4260DS1A       |
|------------------------------------|-------------------|-------------------|-------------------|
| Installation                       | Multiple Position | Multiple Position | Multiple Position |
| <b>EVAPORATOR COIL</b>             |                   |                   |                   |
| Type                               | Tube & Fin        | Tube & Fin        | Tube & Fin        |
| Tube Material                      | Aluminum          | Aluminum          | Aluminum          |
| Tube Size (in.)                    | 9/32              | 9/32              | 9/32              |
| <b>Refrigerant Connection Size</b> |                   |                   |                   |
| Liquid Line Size (O.D.)            | 3/8               | 3/8               | 3/8               |
| Suction Line Size (O.D.)           | 7/8               | 7/8               | 7/8               |

# DIMENSIONS



| Model    | DIMENSIONS       |                 |                       |            |                        | Weight (lbs.) |
|----------|------------------|-----------------|-----------------------|------------|------------------------|---------------|
|          | H - Height (in.) | W - Width (in.) | A - Supply Duct (in.) | "W1" (in.) | Liquid line/Vapor line |               |
| MAA1836A | 20               | 14-1/2          | 13                    | 13-1/2     | 3/8 / 3/4              | 46            |
| MAA1836B | 20               | 17-1/2          | 16                    | 16-1/2     | 3/8 / 3/4              | 49            |
| MAA1836C | 20               | 21              | 19-1/2                | 20         | 3/8 / 3/4              | 51            |
| MAA1842B | 26               | 17-1/2          | 16                    | 16-1/2     | 3/8 / 7/8              | 60            |
| MAA1842C | 26               | 21              | 19-1/2                | 20         | 3/8 / 7/8              | 62            |
| MAA3642D | 26               | 24-1/2          | 23                    | 23-1/2     | 3/8 / 7/8              | 66            |
| MAA3042B | 30               | 17-1/2          | 16                    | 16-1/2     | 3/8 / 7/8              | 73            |
| MAA3042C | 30               | 21              | 19-1/2                | 20         | 3/8 / 7/8              | 73            |
| MAA3648D | 30               | 24-1/2          | 23                    | 23-1/2     | 3/8 / 7/8              | 77            |
| MAA3660C | 30               | 21              | 19-1/2                | 20         | 3/8 / 7/8              | 82            |
| MAA4260D | 30               | 24-1/2          | 23                    | 23-1/2     | 3/8 / 7/8              | 86            |

## PISTON

| Model       | Piston/orifice sizes |    |    |    |    |    |    |    |    |    |    |    |    |
|-------------|----------------------|----|----|----|----|----|----|----|----|----|----|----|----|
|             | 50                   | 52 | 56 | 58 | 60 | 64 | 68 | 70 | 73 | 75 | 80 | 83 | 90 |
| MAA1836AS1A |                      | X  |    | X  | X  | X* |    | X  |    |    |    |    |    |
| MAA1836BS1A |                      | X  |    | X  | X  | X* |    | X  |    |    |    |    |    |
| MAA1836CS1A |                      | X  |    | X  | X  | X* |    | X  |    |    |    |    |    |
| MAA1842BS1A |                      | X  |    |    | X  | X  |    | X  |    | X* |    |    |    |
| MAA1842CS1A |                      |    |    |    | X  | X  |    | X  |    | X* |    |    |    |
| MAA3642DS1A |                      |    |    |    | X  | X  |    | X  |    | X* |    |    |    |
| MAA3042BS1A |                      |    |    | X  |    | X  |    | X  |    | X  |    | X* |    |
| MAA3042CS1A |                      |    |    |    |    | X  |    | X  |    | X  |    | X* |    |
| MAA3648DS1A |                      |    |    |    |    |    |    | X  |    | X  |    | X* |    |
| MAA3660CS1A |                      |    |    |    |    |    |    |    |    | X  | X  | X  | X* |
| MAA4260DS1A |                      |    |    |    |    |    |    |    |    | X  | X  | X  | X* |

**Note:** Factory installed piston size for each coil model. Additional piston sizes are provided in the ship-with literature bag as necessary  
 \* means that this piston is pre-installed

## PISTON SUPERHEAT CHARGING CHART

| Outdoor Temp(°F) | Indoor Temperature(°F) Dry Bulb/Wet Bulb |       |       |       |       |       |
|------------------|--|-------|-------|-------|-------|-------|
|                  | 95/79                                    | 90/75 | 85/71 | 80/67 | 75/63 | 70/58 |
|                  | Superheat                                |       |       |       |       |       |
| 115              | 23                                       | 16    | 7     | 5     | 5     | 5     |
| 110              | 24                                       | 17    | 9     | 5     | 5     | 5     |
| 105              | 26                                       | 19    | 11    | 5     | 5     | 5     |
| 100              | 27                                       | 21    | 13    | 7     | 5     | 5     |
| 95               | 29                                       | 23    | 16    | 9     | 5     | 5     |
| 90               | 30                                       | 25    | 18    | 12    | 5     | 5     |
| 85               | 35                                       | 26    | 20    | 14    | 8     | 5     |
| 80               | 34                                       | 28    | 22    | 17    | 11    | 5     |
| 75               | 35                                       | 30    | 24    | 19    | 13    | 6     |
| 70               | 37                                       | 32    | 26    | 21    | 16    | 10    |
| 65               | 38                                       | 34    | 29    | 24    | 19    | 13    |
| 60               | 40                                       | 36    | 31    | 27    | 22    | 17    |
| 55               | 41                                       | 37    | 33    | 29    | 25    | 21    |

**Note:** Chart is based on 400CFM/TON indoor airflow and 50% relative humidity.  
 If indoor relative humidity is above 70% or below 20%, use indoor wet bulb temperature only.  
 Airflow range is 375 to 425 CFM/Ton



## AIRFLOW PERFORMANCE

| Model       | Pressure Drop Characteristics for Cooling and Heat Pump Coils |     |      |      |      |      |      |      |
|-------------|---|-----|------|------|------|------|------|------|
|             | Pressure Drop (Inches of Water)                               |     |      |      |      |      |      |      |
|             | 0.05  | 0.1 | 0.15 | 0.2  | 0.25 | 0.3  | 0.35 | 0.4  |
| MAA1836AS1A | 307   | 485 | 618  | 729  | 823  | 911  | 991  | 1063 |
| MAA1836BS1A | 327   | 527 | 682  | 810  | 925  | 1024 | 1122 | 1217 |
| MAA1836CS1A | 360   | 585 | 748  | 893  | 1019 | 1132 | 1238 | 1348 |
| MAA1842BS1A | 401   | 600 | 773  | 916  | 1045 | 1160 | 1256 | 1357 |
| MAA1842CS1A | 457   | 663 | 856  | 1019 | 1156 | 1277 | 1394 | 1502 |
| MAA3642DS1A | 496   | 718 | 924  | 1102 | 1259 | 1398 | 1530 | 1651 |
| MAA3042BS1A | 456   | 638 | 810  | 953  | 1077 | 1191 | 1284 | 1390 |
| MAA3042CS1A | 505   | 726 | 932  | 1098 | 1244 | 1375 | 1494 | 1604 |
| MAA3648DS1A | 533   | 857 | 1105 | 1319 | 1509 | 1675 | 1824 | 1956 |
| MAA3660CS1A | 439   | 699 | 906  | 1071 | 1224 | 1362 | 1487 | 1589 |
| MAA4260DS1A | 466   | 764 | 978  | 1157 | 1313 | 1466 | 1590 | 1695 |

*Note: Data based on wet coil with entering air at 80 degF DB / 67 degF WB without air filter.  
The maximum allowable pressure drop is 0.4 IWG.  
The maximum CFM is the data at 0.4 IWG pressure.*

## MAXIMUM AIRFLOW SETTING

| Model       | Maximum airflow setting (CFM) |                 |           |                  |
|-------------|-------------------------------|-----------------|-----------|------------------|
|             | Up flow                       | Horizontal Left | Down flow | Horizontal Right |
| MAA1836AS1A | 1200                          | 1050            | 1050      | 1200             |
| MAA1836BS1A | 1250                          | 1200            | 1050      | 1250             |
| MAA1836CS1A | 1250                          | 1200            | 1050      | 1250             |
| MAA1842BS1A | 1575                          | 1400            | 1400      | 1575             |
| MAA1842CS1A | 1575                          | 1400            | 1400      | 1575             |
| MAA3642DS1A | 1575                          | 1450            | 1450      | 1575             |
| MAA3042BS1A | 1800                          | 1800            | 1700      | 1500             |
| MAA3042CS1A | 1800                          | 1800            | 1700      | 1700             |
| MAA3648DS1A | 1800                          | 1800            | 1700      | 1700             |
| MAA3660CS1A | 1850                          | 1750            | 1750      | 1850             |
| MAA4260DS1A | 2000                          | 1850            | 1850      | 2000             |

*Note: Water blow-off could occur in certain installation positions if the airflow setting exceeds the maximum values listed.*



# MAA\*\*S1A

*Comfort-Aire*<sup>®</sup>  
**Century**<sup>®</sup>

*Due to ongoing product improvements, specifications and dimensions are subject to change and correction without notice or incurring obligations. Determining the application and suitability for use of any product is the responsibility of the installer. Additionally, the installer is responsible for verifying dimensional data on the actual product prior to beginning any installation preparations.*

*Third party incentive and rebate programs have precise requirements as to product performance and certification. All products meet applicable regulations in effect on date of manufacture; however, certifications are not necessarily granted for the life of a product. Therefore, it is the responsibility of the applicant to determine whether a specific model qualifies for these incentive/rebate programs.*

"This product complies with all California product labeling laws including, but not limited to, the Safe Drinking Water and Toxic Enforcement Act of 1986, more commonly known as Proposition 65."

©2024 MOTORS & ARMATURES, Inc.

MARS is a registered trademark of Motors & Armatures, Inc.

Comfort-Aire is a registered trademark of Motors & Armatures, Inc.

SP-1M 2/24 HC-MAAS1A\_SPEC

*Comfort-Aire* **Century**

1900 Wellworth Ave., Jackson MI 49203 • 517.787.2100 • [www.comfort-aire.com](http://www.comfort-aire.com) • [www.century-hvac.com](http://www.century-hvac.com)

**MARS**<sup>®</sup>  
Delivering Confidence