

Nortek-Style Manufactured Housing Furnaces

HVAC EQUIPMENT GUIDE

*Electric Furnaces, 80% Gas Furnaces
95% Gas Furnaces, 83% Oil Furnaces
Coils and Accessories*



Comfort-Care[®]
Century[®]

NORTEK - Manufactured Housing HVAC Equipment Guide

Table of Contents

Cover Page..... 1

E7-Page 2

MG1E-Page 3

MG1E-Venting 4

MG1E-Nat Gas 5

MG1E-Propane..... 6

MG2R-Page..... 7

MG2R-Venting..... 8

MG2R-Nat Gas 9

MG2R-Propane 10

M5SB-Page 11

M5SB-Venting 12

Furnace Duct Connector..... 13



**MANUFACTURED HOUSING
ELECTRIC FURNACES**

*E7ED - Downflow
E7EM - Upflow / Downflow*



E7ED



E7EM

**MANUFACTURED HOUSING
OIL FURNACES**

*M5SB*A - Downflow Without Coil Box
M5SB*B - Downflow With Coil Box*



M5SB*A



M5SB*B

**MANUFACTURED HOUSING
GAS FURNACES**

*MG1E*A - Downflow Without Coil Box
MG1E*B - Downflow With Coil Box*



MG1E*A



MG1E*B

**MANUFACTURED HOUSING
GAS FURNACES**

*MG2R*A - Downflow Without Coil Box
MG2R*B - Downflow With Coil Box
MG2R*C - Downflow With Coil Box*



MG2R*A



MG2R*B/C

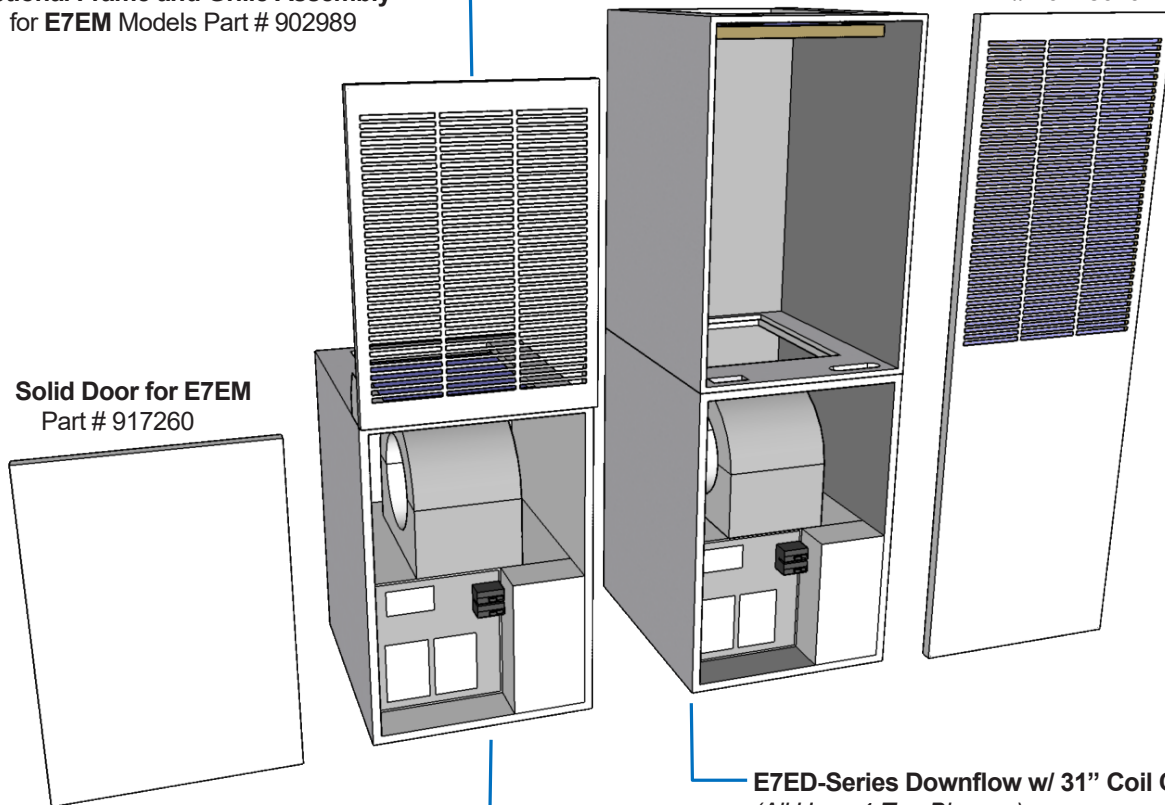
E7-Series Electric Furnaces:

- E7ED Downflow Only w/ 31" Coil Cabinet
- E7EM Upflow/Downflow NO CABINET

Optional Frame and Grille Assembly
for E7EM Models Part # 902989

Louvered Door for E7ED
Part # 101480702R

Solid Door for E7EM
Part # 917260



E7EM-Series Upflow/Downflow
(All Have 4-Ton Blowers)

- | | |
|-------------------|-------------------|
| E7EM-010H1 – 10kW | E7EM-012H1 – 12kW |
| E7EM-015H1 – 15kW | E7EM-017H1 – 17kW |
| E7EM-020H1 – 20kW | E7EM-023H1 – 23kW |

E7ED-Series Downflow w/ 31" Coil Cabinet
(All Have 4-Ton Blowers)

- | | |
|-------------------|-------------------|
| E7ED-010H1 – 10kW | E7ED-012H1 – 12kW |
| E7ED-015H1 – 15kW | E7ED-017H1 – 17kW |
| E7ED-020H1 – 20kW | E7ED-023H1 – 23kW |

Upflow / Downflow Coil Cabinet for E7EM
(For all sizes – includes solid door)
Part # 1006730 (Not Shown)

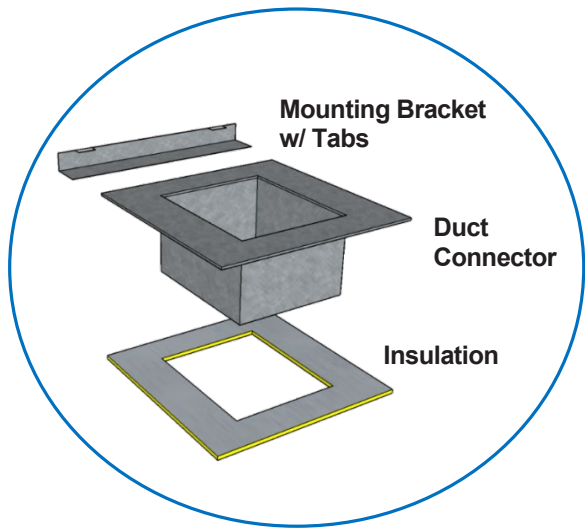
5-Ton Blower Assembly for E7EM or E7ED
Part #1027059 (Not Shown)

Finger-Tab Duct Connectors

- 901988A 2" Duct Connector
- 901989A 4" Duct Connector
- 901990A 6" Duct Connector
- 901991A 8" Duct Connector
- 901992A 10.25" Duct Connector

Filter Sizes:

- E7EM (1) 20x18x1
- E7ED (1) 20x18x1, (1) 30x18x1

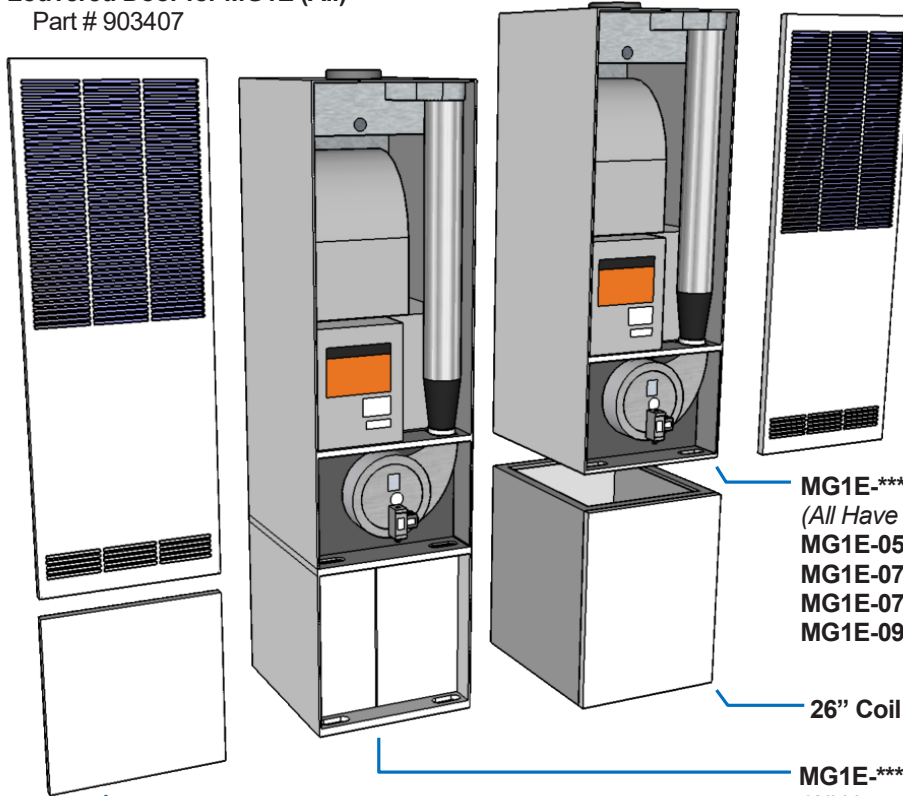


MG1E-Series 80% AFUE Gas Furnaces:

- **MG1E-***F1ABM*** Downflow w/ 20" Coil Cabinet
- **MG1E-***F1AAM*** Downflow NO CABINET

Louvered Door for MG1E (All)

Part # 903407



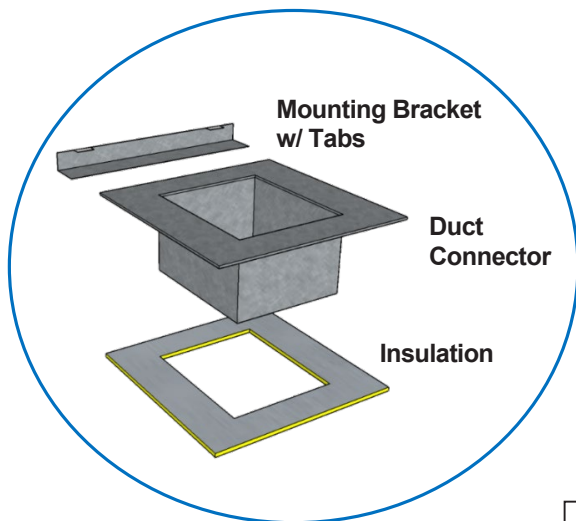
Louvered Door for MG1E (All)
Part # 903407

Solid Door for Coil Cab on MG1E-*F1ABM* ONLY**
Part # 903094

MG1E-*F1AAM*** Downflow with no coil cab
(All Have 4-Ton Blowers)
MG1E-056F1AAM* – 56KBtu Input
MG1E-070F1AAM* – 70KBtu Input
MG1E-077F1AAM* – 77KBtu Input
MG1E-090F1AAM* – 90KBtu Input

26" Coil Cabinet - Part # 922594

MG1E-*F1ABM*** Downflow w/ 20" Coil Cab
(All Have 4-Ton Blowers)
MG1E-056F1ABM* – 56KBtu Input
MG1E-070F1ABM* – 70KBtu Input
MG1E-077F1ABM* – 77KBtu Input
MG1E-090F1ABM* – 90KBtu Input



Finger-Tab Duct Connectors

- 901988A 2" Duct Connector
- 901989A 4" Duct Connector
- 901990A 6" Duct Connector
- 901991A 8" Duct Connector
- 901992A 10.25" Duct Connector

Filter Sizes:

MG1E (All) - 19.5"x 28" Blue Hogs Hair Filter

High Altitude (above 2000' Installation) for MG1E (ALL):

See Nat/LP Orifice Page MANDATORY

1018498 High Altitude Pressure Switch Hose Kit – used where nuisance tripping occurs on OEM switch **OPTIONAL**

****SEE NEXT PAGE FOR VENT PRODUCTS****

MG1E-Series 80% AFUE Gas Furnaces:

- **MG1E-***F1ABM*** Downflow w/ 20" Coil Cabinet
- **MG1E-***F1AAM*** Downflow NO CABINET

FLAT ROOF JACKS: Use alone or in combination with wedges below for pitched roofs

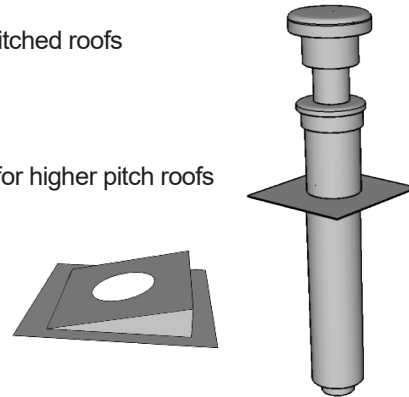
- 903658** – Flat Roof Jack 15" to 23"
- 903659** – Flat Roof Jack 21" to 35"
- 903660** – Flat Roof Jack 27" to 47"

PITCHED ROOF JACKS: Use alone or in combination with wedges below for higher pitch roofs

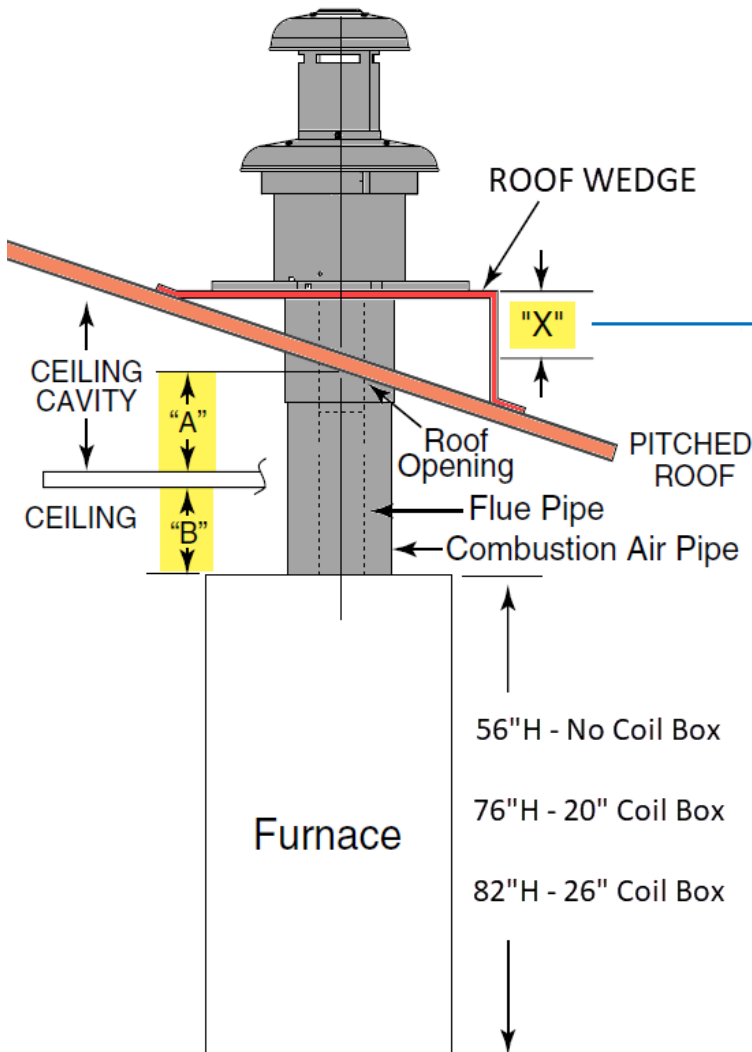
- 903664** – 2/12 Pitch Roof Jack 35" to 63"
- 920638** – 2/12 Pitch Roof Jack 51" to 95"

ROOF WEDGES: Use in combination with Flat or Pitched Roof Jacks

- 903893** – 2.5/12 Roof Wedge
- 903894** – 3/12 Roof Wedge
- 903895** – 4/12 Roof Wedge



TO SELECT ROOFJACK: A + B (+X IF PITCHED ROOF)



ROOF JACK SERIES	IF ROOF PITCH IS:	SLANT DECK FLASHING NUMBER	"X"
FLAT ROOF JACKS	2" in 12"	903893 (2.5/12)	2-1/8"
	2-1/2" in 12"	903893 (2.5/12)	2-1/2"
	3" in 12"	903894 (3/12)	2-7/8"
	3-1/2" in 12"	903894 (3/12)	3-1/4"
	4" in 12"	903895 (4/12)	3-5/8"
2.5/12" PITCH ROOF JACKS	4-1/2" in 12"	903895 (2.5/12)	2-1/8"
	5" in 12"	903895 (2.5/12)	2-1/2"
	5-1/2" in 12"	903894 (3/12)	2-7/8"
	6" in 12"	903894 (3/12)	3-1/4"
	6-1/2" in 12"	903895 (4/12)	3-5/8"

ROOFJACK ACCESSORIES:

- 902521** – Ceiling Ring for Roof Jacks
- 901937** – 16" Exterior Roof Jack Extension
- 901935** – 10" Interior Roof Jack Extension
- 903107** – 18" interior Roof Jack Extension



MG1E-Series 80% AFUE Gas Furnaces NAT GAS Orifice Selection

NATURAL GAS ORIFICES: Use the following steps to determine appropriate orifice for installation altitude.

1. Consult Local Utility for "LOCAL HEATING VALUE" at installation site. Use "Local Heating Values" chart to determine if this value is considered "LOW" or "HIGH" based on installation altitude.
2. Use "Natural Gas – High Heating Value" or "Natural Gas – Low Heating Value" chart to determine appropriate orifice based on furnace model.

LOCAL HEATING VALUES FOR NATURAL GAS									
ALTITUDE ABOVE SEA LEVEL	BTU PER CUBIC FOOT								
	650	700	750	800	850	900	950	1,000	1,050
2,000 FT	LOW	LOW	LOW	LOW	LOW	LOW	HIGH	HIGH	HIGH
3,000 FT	LOW	LOW	LOW	LOW	LOW	LOW	HIGH	HIGH	HIGH
4,000 FT	LOW	LOW	LOW	LOW	LOW	HIGH	HIGH	HIGH	HIGH
5,000 FT	LOW	LOW	LOW	LOW	LOW	HIGH	HIGH	HIGH	HIGH
6,000 FT	LOW	LOW	LOW	LOW	HIGH	HIGH	HIGH	HIGH	HIGH
7,000 FT	LOW	LOW	LOW	LOW	HIGH	HIGH	HIGH	HIGH	HIGH
8,000 FT	LOW	LOW	LOW	HIGH	HIGH	HIGH	HIGH	HIGH	HIGH
9,000 FT	LOW	LOW	LOW	HIGH	HIGH	HIGH	HIGH	HIGH	HIGH
10,000 FT	LOW	LOW	HIGH	HIGH	HIGH	HIGH	HIGH	HIGH	HIGH

NATURAL GAS - HIGH HEATING VALUE					
ALTITUDE ABOVE SEA LEVEL	FURNACE MODELS				MANIFOLD PRESSURE IS 3.5 IN WC (GAS VALVE SETTING FOR NAT. GAS)
	MG1-056	MG1-070	MG1-077	MG1-090	
0 to 1,999 FT	29	24	21	17	Factory Orifice Size
2,000 to 2,999 FT	29	26	23	18	Service Orifice Size
3,000 to 3,999 FT	30	26	24	19	Service Orifice Size
4,000 to 4,999 FT	30	27	25	20	Service Orifice Size
5,000 to 5,999 FT	30	28	26	21	Service Orifice Size
6,000 to 6,999 FT	30	28	27	22	Service Orifice Size
7,000 to 7,999 FT	31	29	27	23	Service Orifice Size
8,000 to 8,999 FT	31	29	28	24	Service Orifice Size
9,000 to 9,999 FT	32	30	29	25	Service Orifice Size

NATURAL GAS - LOW HEATING VALUE					
ALTITUDE ABOVE SEA LEVEL	FURNACE MODELS				MANIFOLD PRESSURE IS 3.5 IN WC (GAS VALVE SETTING FOR NAT. GAS)
	MG1-056	MG1-070	MG1-077	MG1-090	
0 to 1,999 FT	29	24	21	17	Factory Orifice Size
2,000 to 2,999 FT	29	24	20	17	Service Orifice Size
3,000 to 3,999 FT	29	25	21	18	Service Orifice Size
4,000 to 4,999 FT	29	26	22	19	Service Orifice Size
5,000 to 5,999 FT	30	27	23	20	Service Orifice Size
6,000 to 6,999 FT	30	27	24	21	Service Orifice Size
7,000 to 7,999 FT	30	28	25	22	Service Orifice Size
8,000 to 8,999 FT	31	29	26	23	Service Orifice Size
9,000 to 9,999 FT	31	29	27	24	Service Orifice Size

ORIFICE PART NUMBERS:

661017R - #17	661018R - #18	661019R - #19**	661020R - #20	661021R - #21
661022 - #22	662023R - #23	661024R - #24	661025R - #25	661026R - #26
661027 - #27	661028 - #28	661029R - #29	661030R - #30	661031 - #31
661032R - #32**	661035 - #35	661036R - #36	661037R - #37	661038 - #38
661039R - #39**	661040 - #40	661041R - #41	661042R - #42	661043R - #43
661044R - #44	661045R - #45	661046R - #46	661047R - #47	661048R - #48
661049R - #49	661050R - #50	661051R - #51	661052R - #52	661055R - #55
661056R - #56	661057R - #57	661058R - #58	661059 - #59	661060 - #60
661061R - #61				

NOTE: #19, #32, and #39 Orifices have been discontinued. Use the next size smaller orifice



MG1E-Series 80% AFUE Gas Furnaces PROPANE Orifice Selection

PROPANE ORIFICES: Use the chart below to determine appropriate orifice based on model and installation altitude.

PROPANE GAS					
ALTITUDE ABOVE SEA LEVEL	FURNACE MODELS				MANIFOLD PRESSURE IS 10 IN WC (GAS VALVE SETTING FOR LP GAS)
	MG1-056	MG1-070	MG1-077	MG1-090	
0 to 1,999 FT	45	42	40	36	Conversion Orifice Size
2,000 to 2,999 FT	47	42	41	37	Service Orifice Size
3,000 to 3,999 FT	47	43	42	38	Service Orifice Size
4,000 to 4,999 FT	47	43	42	39	Service Orifice Size
5,000 to 5,999 FT	48	44	43	40	Service Orifice Size
6,000 to 6,999 FT	48	44	43	41	Service Orifice Size
7,000 to 7,999 FT	49	44	43	42	Service Orifice Size
8,000 to 8,999 FT	49	45	44	42	Service Orifice Size
9,000 to 9,999 FT	50	46	45	43	Service Orifice Size

NOTES: Includes 4% Input Reduction for each 1,000 feet. Reference Sources: ANSI Z223.1, CSA B149.1, NFPA 54 and National Fuel Gas Code.

ORIFICE PART NUMBERS:

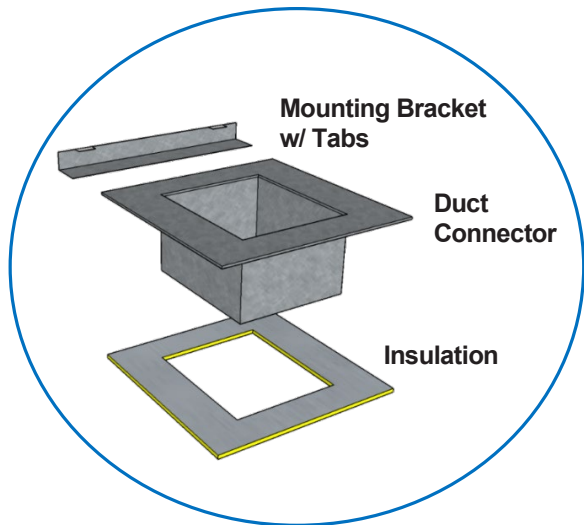
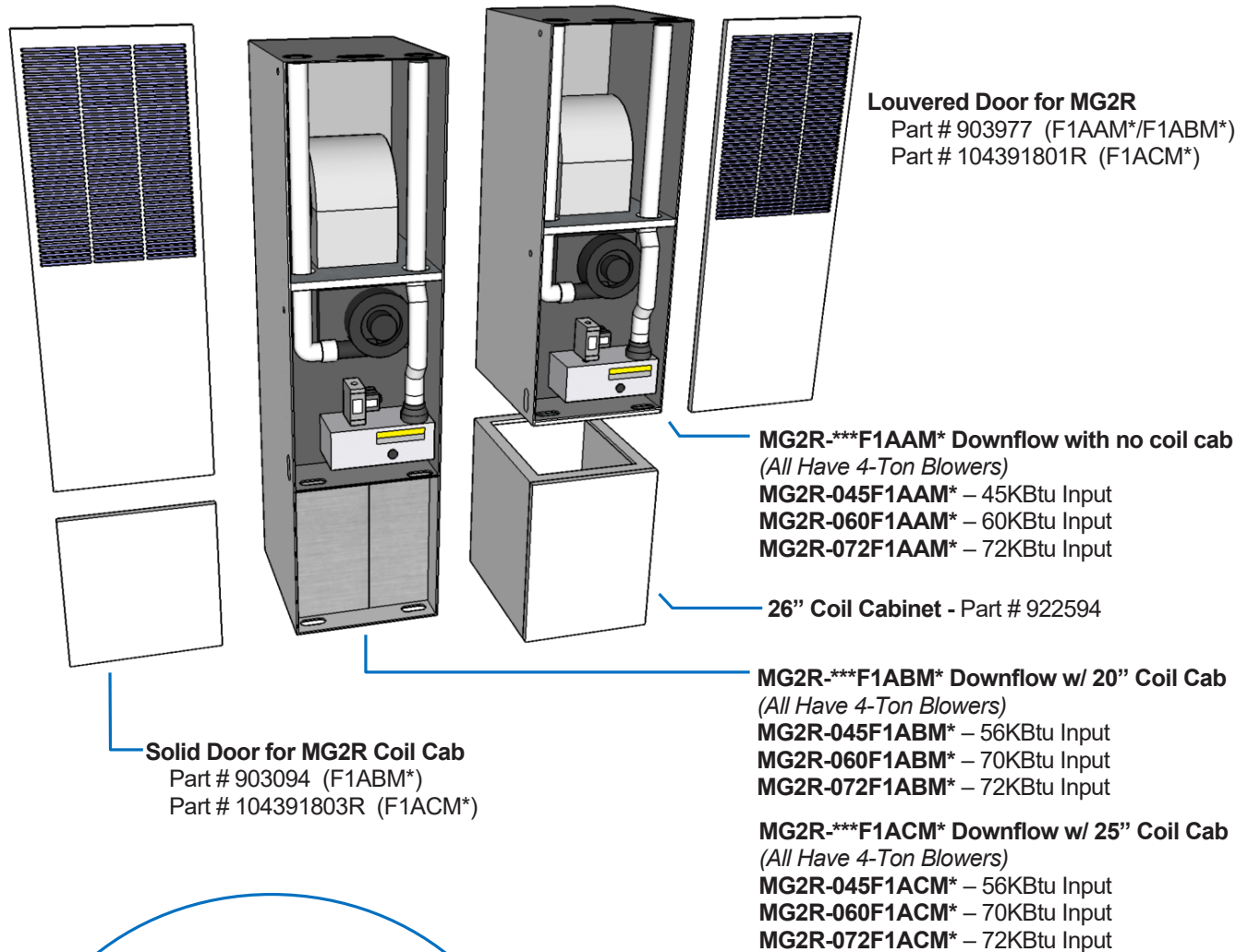
661017R - #17	661018R - #18	661019R - #19**	661020R - #20	661021R - #21
661022 - #22	662023R - #23	661024R - #24	661025R - #25	661026R - #26
661027 - #27	661028 - #28	661029R - #29	661030R - #30	661031 - #31
661032R - #32**	661035 - #35	661036R - #36	661037R - #37	661038 - #38
661039R - #39**	661040 - #40	661041R - #41	661042R - #42	661043R - #43
661044R - #44	661045R - #45	661046R - #46	661047R - #47	661048R - #48
661049R - #49	661050R - #50	661051R - #51	661052R - #52	661055R - #55
661056R - #56	661057R - #57	661058R - #58	661059 - #59	661060 - #60
661061R - #61				

****NOTE:** #19, #32, and #39 Orifices have been discontinued. Use the next size smaller orifice**



MG2R-Series 95% AFUE Gas Furnaces:

- **MG2R-***F1ABM*** Downflow w/ 20" Coil Cabinet
- **MG2R-***F1ACM*** Downflow w/ 25" Coil Cabinet
- **MG2R-***F1AAM*** Downflow NO CABINET



- Finger-Tab Duct Connectors**
- 901988A 2" Duct Connector
 - 901989A 4" Duct Connector
 - 901990A 6" Duct Connector
 - 901991A 8" Duct Connector
 - 901992A 10.25" Duct Connector

Filter Sizes:
MG2R (All) - 19.5"x 21.5" Blue Hogs Hair Filter

****SEE NEXT PAGE FOR VENT PRODUCTS****

MG2R-Series 95% AFUE Gas Furnaces:

- **MG2R-***F1ABM*** Downflow w/ 20" Coil Cabinet
- **MG2R-***F1ACM*** Downflow w/ 25" Coil Cabinet
- **MG2R-***F1AAM*** Downflow NO CABINET

PIPING SIZE TABLE: Combined Intake and Exhaust Max. Length
 *Consult IOM for complete venting information

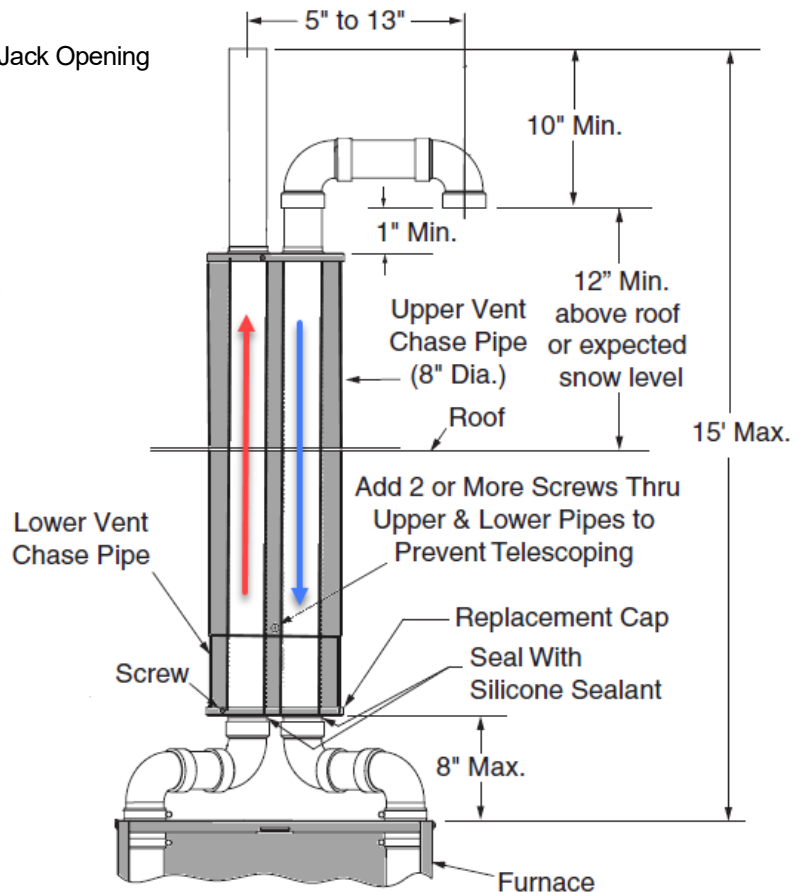
MAXIMUM DIRECT VENT, DUAL PIPE LENGTH (FT.)		
MG2R INPUTS (BTU)	INLET / OUTLET 2" DIAMETER	INLET / OUTLET 3" DIAMETER
45,000	30	60
60,000	30	60
72,000	30	60



1. Subtract 2.5ft. for each additional 2" Long Radius Elbow, subtract 5ft. for each additional 2" Short Radius Elbow, subtract 3.5ft. for each additional 3" Long Radius Elbow, and 7ft. for each additional 3" Short Radius Elbow.
2. Two (2) 45 degree elbows are equivalent to one (1) 90 degree elbow.
3. This table applies for elevations from sea level to 2,000ft. elevation. For higher elevations, decrease pipe lengths by 8% per 1000ft. of altitude.

CONCENTRIC PVC KITS: Vertical or Horizontal Intake and Exhaust Termination Kit
904952 – 2" Concentric for MG2R
904953 – 3" Concentric for MG2R

TRANSITION VENT KIT: Use with Existing Roof Jack Opening
904106 – 2" Transition Vent Kit for MG2R





MG2R-Series 95% AFUE Gas Furnaces NAT GAS Orifice Selection

NATURAL GAS ORIFICES: Use the following steps to determine appropriate orifice for installation altitude.

1. Consult Local Utility for "LOCAL HEATING VALUE" at installation site. Use "Local Heating Values" chart to determine if this value is considered "LOW" or "HIGH" based on installation altitude.
2. Use "Natural Gas – High Heating Value" or "Natural Gas – Low Heating Value" chart to determine appropriate orifice based on furnace model.

LOCAL HEATING VALUES FOR NATURAL GAS									
ALTITUDE ABOVE SEA LEVEL	BTU PER CUBIC FOOT								
	650	700	750	800	850	900	950	1,000	1,050
2,000 FT	LOW	LOW	LOW	LOW	LOW	LOW	HIGH	HIGH	HIGH
3,000 FT	LOW	LOW	LOW	LOW	LOW	LOW	HIGH	HIGH	HIGH
4,000 FT	LOW	LOW	LOW	LOW	LOW	HIGH	HIGH	HIGH	HIGH
5,000 FT	LOW	LOW	LOW	LOW	LOW	HIGH	HIGH	HIGH	HIGH
6,000 FT	LOW	LOW	LOW	LOW	HIGH	HIGH	HIGH	HIGH	HIGH
7,000 FT	LOW	LOW	LOW	LOW	HIGH	HIGH	HIGH	HIGH	HIGH
8,000 FT	LOW	LOW	LOW	HIGH	HIGH	HIGH	HIGH	HIGH	HIGH
9,000 FT	LOW	LOW	LOW	HIGH	HIGH	HIGH	HIGH	HIGH	HIGH
10,000 FT	LOW	LOW	HIGH	HIGH	HIGH	HIGH	HIGH	HIGH	HIGH

HIGH HEATING VALUE & MANIFOLD PRESSURE = 3.5 IN. W.C.			
ALTITUDE ABOVE SEA LEVEL	INPUT (BTU)		
	45,000	60,000	72,000
0 to 1,999 FT	49	45	47
2,000 to 2,999 FT	50	46	48
3,000 to 3,999 FT	50	46	48
4,000 to 4,999 FT	51	47	48
5,000 to 5,999 FT	51	47	49
6,000 to 6,999 FT	51	48	49
7,000 to 7,999 FT	52	48	50
8,000 to 8,999 FT	52	49	50
9,000 to 9,999 FT	52	49	50

LOW HEATING VALUE & MANIFOLD PRESSURE = 3.5 IN. W.C.			
ALTITUDE ABOVE SEA LEVEL	INPUT (BTU)		
	45,000	60,000	72,000
0 to 1,999 FT	49	45	47
2,000 to 2,999 FT	49	45	47
3,000 to 3,999 FT	49	45	47
4,000 to 4,999 FT	50	45	47
5,000 to 5,999 FT	50	45	47
6,000 to 6,999 FT	50	46	48
7,000 to 7,999 FT	51	47	48
8,000 to 8,999 FT	51	47	49
9,000 to 9,999 FT	51	48	49

ORIFICE PART NUMBERS:

661017R - #17	661018R - #18	661019R - #19**	661020R - #20	661021R - #21
661022 - #22	662023R - #23	661024R - #24	661025R - #25	661026R - #26
661027 - #27	661028 - #28	661029R - #29	661030R - #30	661031 - #31
661032R - #32**	661035 - #35	661036R - #36	661037R - #37	661038 - #38
661039R - #39**	661040 - #40	661041R - #41	661042R - #42	661043R - #43
661044R - #44	661045R - #45	661046R - #46	661047R - #47	661048R - #48
661049R - #49	661050R - #50	661051R - #51	661052R - #52	661055R - #55
661056R - #56	661057R - #57	661058R - #58	661059 - #59	661060 - #60
661061R - #61				

NOTE: #19, #32, and #39 Orifices have been discontinued. Use the next size smaller orifice



MG2R-Series 95% AFUE Gas Furnaces PROPANE Orifice Selection

PROPANE ORIFICES: Use the chart below to determine appropriate orifice based on model and installation altitude.

ORIFICES FOR PROPANE GAS MANIFOLD PRESSURE = 10 IN. W.C.			
ALTITUDE ABOVE SEA LEVEL	INPUT (BTU)		
	45,000	60,000	72,000
0 to 1,999 FT	57	55	56
2,000 to 2,999 FT	57	55	56
3,000 to 3,999 FT	57	55	56
4,000 to 4,999 FT	57	56	56
5,000 to 5,999 FT	58	56	56
6,000 to 6,999 FT	59	56	57
7,000 to 7,999 FT	59	56	57
8,000 to 8,999 FT	60	56	57
9,000 to 9,999 FT	61	57	57

ORIFICE PART NUMBERS:

661017R - #17	661018R - #18	661019R - #19**	661020R - #20	661021R - #21
661022 - #22	662023R - #23	661024R - #24	661025R - #25	661026R - #26
661027 - #27	661028 - #28	661029R - #29	661030R - #30	661031 - #31
661032R - #32**	661035 - #35	661036R - #36	661037R - #37	661038 - #38
661039R - #39**	661040 - #40	661041R - #41	661042R - #42	661043R - #43
661044R - #44	661045R - #45	661046R - #46	661047R - #47	661048R - #48
661049R - #49	661050R - #50	661051R - #51	661052R - #52	661055R - #55
661056R - #56	661057R - #57	661058R - #58	661059 - #59	661060 - #60
661061R - #61				

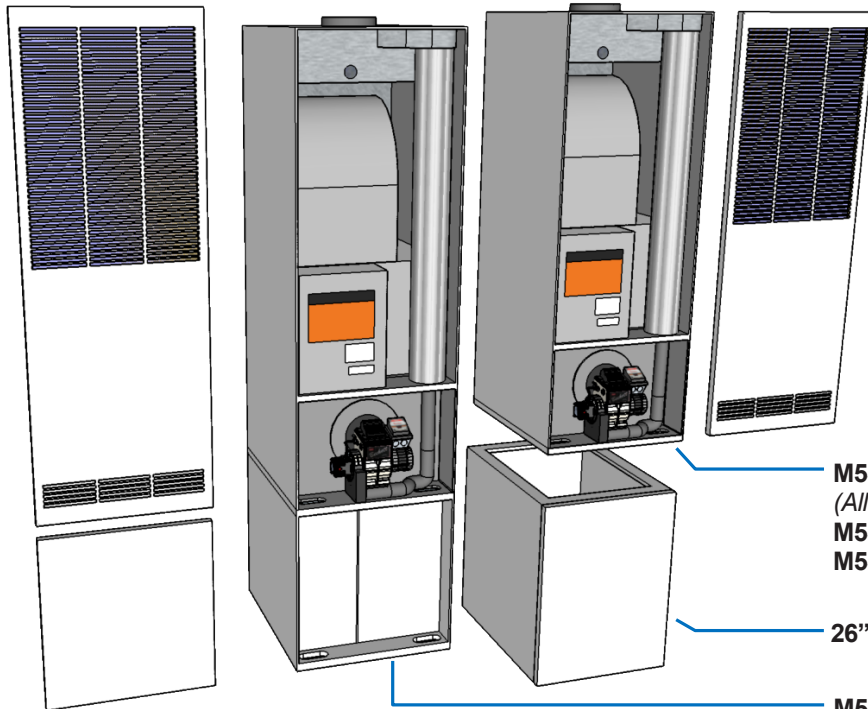
****NOTE:** #19, #32, and #39 Orifices have been discontinued. Use the next size smaller orifice**



M5SB-Series 83% AFUE Oil Furnaces:

- **M5SB-***A-BW*** Downflow w/ 20" Coil Cabinet
- **M5SB-***A-AW*** Downflow NO CABINET

Louvered Door for M5SB (All)
Part # 903407



Louvered Door for M5SB (All)
Part # 903407

M5SB-*A-AW*** Downflow with no coil cab
(All Have 3-Ton Blowers)
M5SB-066A-AW* – 66KBtu Input
M5SB-086A-AW* – 86KBtu Input

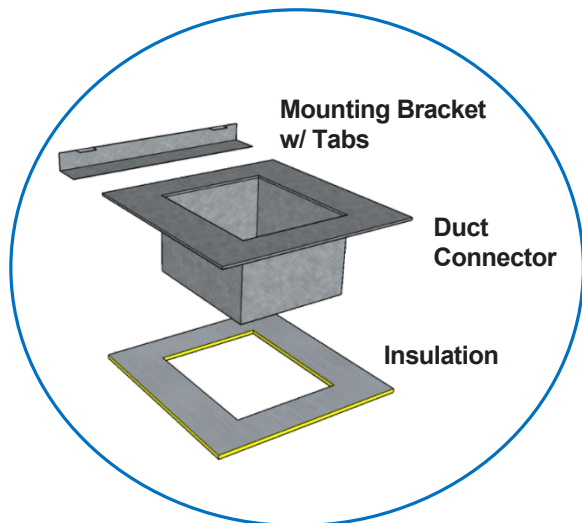
26" Coil Cabinet - Part # 922594

Solid Door for Coil Cab on M5SB-*A-BW* ONLY**
Part # 903094

M5SB-*A-BW*** Downflow w/ 20" Coil Cab
(All Have 3-Ton Blowers)
M5SB-066A-AW* – 66KBtu Input
M5SB-086A-AW* – 86KBtu Input

4-Ton and 5-Ton Blower Upgrade Kit (not shown)

- 903413 – 4T Upgrade Kit
- 903890 – 5T Upgrade Kit



Finger-Tab Duct Connectors

- 901988A 2" Duct Connector
- 901989A 4" Duct Connector
- 901990A 6" Duct Connector
- 901991A 8" Duct Connector
- 901992A 10.25" Duct Connector

Filter Sizes:

M5SB (All) - 19.5"x 28" Blue Hogs Hair Filter

****SEE NEXT PAGE FOR VENT PRODUCTS****

M5SB-Series 83% AFUE Oil Furnaces:

- M5SB-***A-BW* Downflow w/ 20" Coil Cabinet
- M5SB-***A-AW* Downflow NO CABINET



FLAT ROOF JACKS: Use alone or in combination with wedges below for pitched roofs

903658 – Flat Roof Jack 15" to 23"

903659 – Flat Roof Jack 21" to 35"

903660 – Flat Roof Jack 27" to 47"

PITCHED ROOF JACKS: Use alone or in combination with wedges below for higher pitch roofs

903664 – 2/12 Pitch Roof Jack 35" to 63"

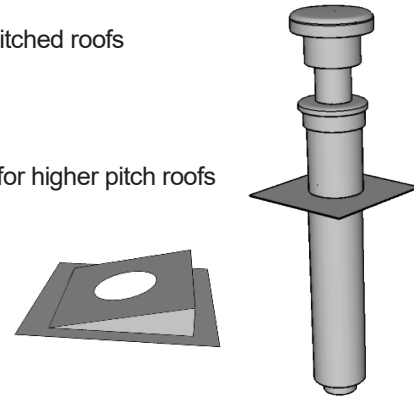
920638 – 2/12 Pitch Roof Jack 51" to 95"

ROOF WEDGES: Use in combination with Flat or Pitched Roof Jacks

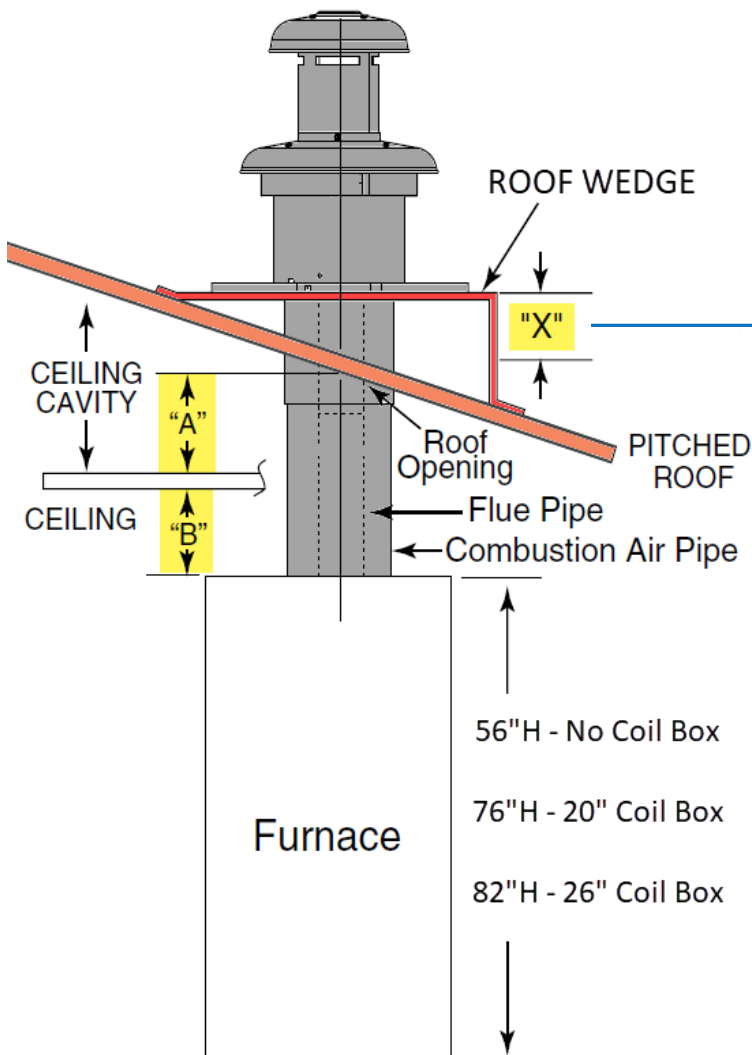
903893 – 2.5/12 Roof Wedge

903894 – 3/12 Roof Wedge

903895 – 4/12 Roof Wedge



TO SELECT ROOFJACK: A + B (+X IF PITCHED ROOF)



ROOF JACK SERIES	IF ROOF PITCH IS:	SLANT DECK FLASHING NUMBER	"X"
FLAT ROOF JACKS	2" in 12"	903893 (2.5/12)	2-1/8"
	2-1/2" in 12"	903893 (2.5/12)	2-1/2"
	3" in 12"	903894 (3/12)	2-7/8"
	3-1/2" in 12"	903894 (3/12)	3-1/4"
2.5/12" PITCH ROOF JACKS	4" in 12"	903895 (4/12)	3-5/8"
	4-1/2" in 12"	903895 (2.5/12)	2-1/8"
	5" in 12"	903895 (2.5/12)	2-1/2"
	5-1/2" in 12"	903894 (3/12)	2-7/8"
	6" in 12"	903894 (3/12)	3-1/4"
	6-1/2" in 12"	903895 (4/12)	3-5/8"

ROOFJACK ACCESSORIES:

902521 – Ceiling Ring for Roof Jacks

901937 – 16" Exterior Roof Jack Extension

901935 – 10" Interior Roof Jack Extension

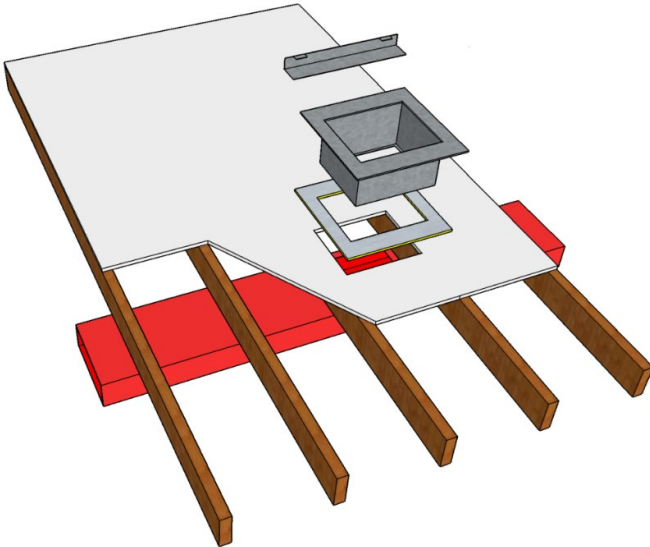
903107 – 18" interior Roof Jack Extension

DUCT CONNECTOR INSTALLATION DETAILS

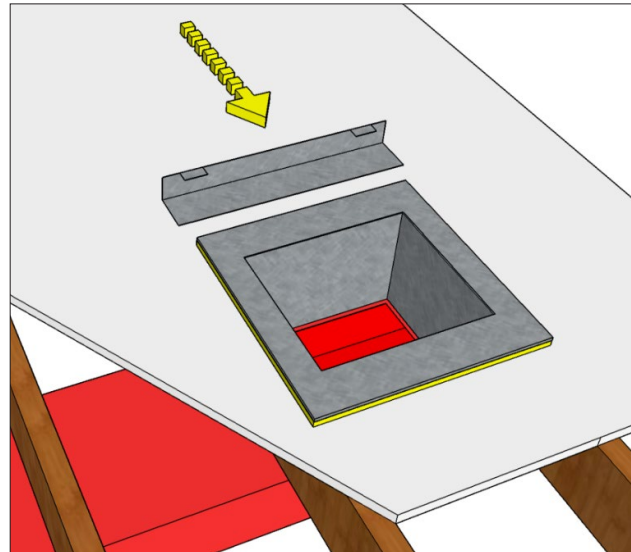
- E7-Series, MG1E-Series, MG2R-Series, and M5SB-Series



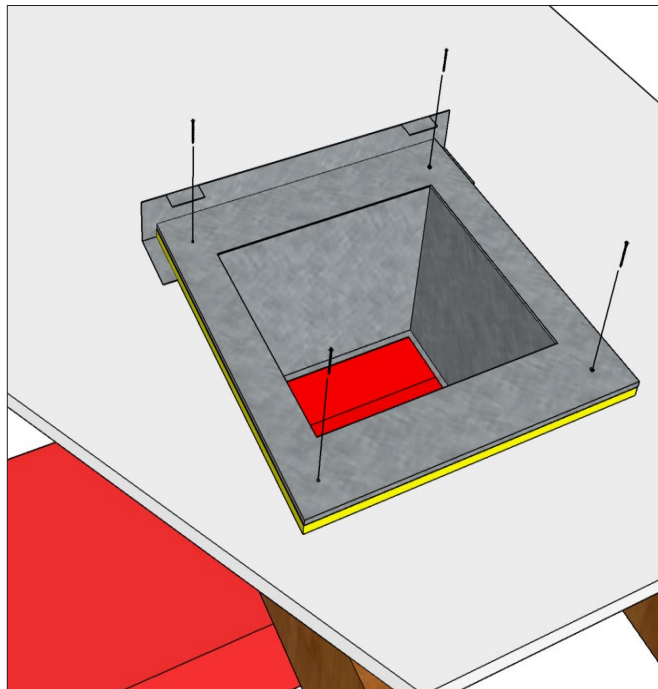
Step 1: Select duct connector based on distance/depth from finished floor to supply duct. Duct connector is lowered into hole through insulation ring. Corresponding hole is cut in supply duct to match duct connector finger/screw tabs.



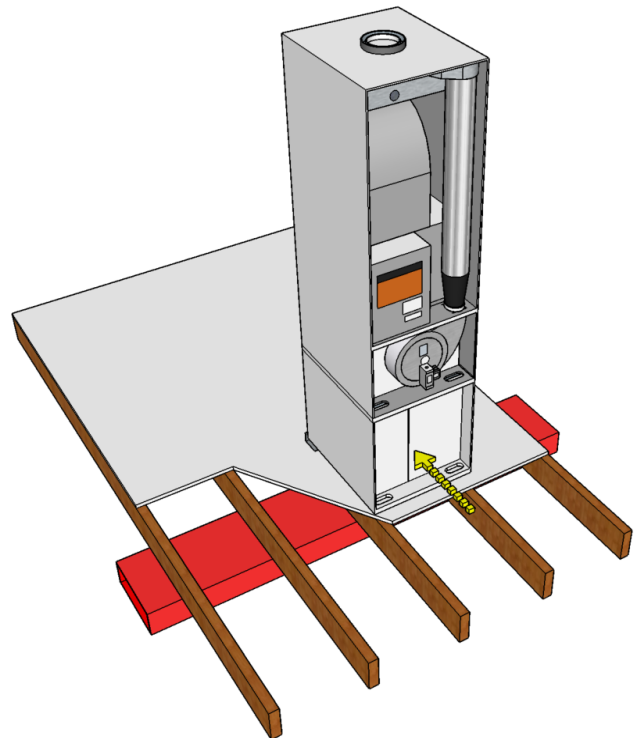
Step 2: Mounting bracket with tabs is slid underneath and centered side-to-side. Duct connector is then attached and sealed to supply duct using industry-approved methods – see furnace installation manual for more details.



Step 3: Duct connector is then attached to the floor using appropriate screws, flat-head nails, or staples.



Step 4: Furnace is slid back to against mounting bracket and secured to floor using methods detailed in install manual.



CMH Series

SPECIFICATIONS

- Rifled copper tubing, enhanced aluminum fins
- Immersion-tested at 500 psi, then nitrogen-pressurized and sealed
- Left-hand refrigerant and plumbing connections
- Externally mounted flowrater body with Schrader valve
- Heavy duty plastic drain pans on all models
- AHRI certifiable with certain brands of A/C and heat pump systems
- UL listed for use with both R-22 and R-410a when proper metering device is used

Line-Set Connection Size

1-1/2 - 3 Ton 3/8" x 3/4"
3-1/2 - 5 Ton 3/8" x 7/8"



For Comfort-Aire/Century extended OEM ratings, please visit www.marsdeliversratings.com

MANUFACTURED HOUSING COILS



*Representative drawing only.
Some models may vary in appearance.*

TXV for 1.5 - 2.5 Ton H4TXV01

TXV for 3 - 4 Ton H4TXV02

TXV for 5 Ton H4TXV03



Warranty—6 years on parts, 10 years when installed as a part of a residential AHRI matched system
(Some limitations apply; see printed warranty for details.)
www.marsdelivers.com

CMH Series

DIMENSIONS

Coil Model	Nominal Tonnage	Dimensions			Weight	Pallet Qty	R-22 Piston
		Pan Widths (W)"	Pan Depth (D)"	Coil Height (H)"			
CMH18/36PM1M	1.5 - 3	18"	19-1/2"	17"	32	8	0.067
CMH24/30PM1M	2 - 2.5	18"	19-1/2"	19"	35	8	0.059
CMH24/36PM1M	2 - 3	18"	19-1/2"	17"	42	8	0.067
CMH36PM2M	2.5 - 3	18"	19-1/2"	19"	45	8	0.067
CMH42/48PM1M	3.5 - 4	18"	19-1/2"	19"	35	8	0.076
CMH42/48PM2M	3.5 - 4	18"	19-1/2"	19"	45	8	0.076
CMH48PM2M	3.5 - 4	18"	19-1/2"	*21"	48	4	0.093
CMH48/60PM1M	4 - 5	18"	19-1/2"	*25"	46	4	0.093
CMH48/60PM2M	4 - 5	18"	19-1/2"	*23"	49	4	0.093

*(In reference to coil model number) NOTE: 21" or taller coils can only be used with the following equipment combinations -

Nortek Style:
E7-Series Electric Furnaces (All Models)
MG1E/MG2R/M5SB with 922594 26" Coil Box (NOT FOR STANDARD 20" COIL BOX)

JCI Style:
EBE-Series Electric Furnaces with 3500-8602 Cabinet Extension

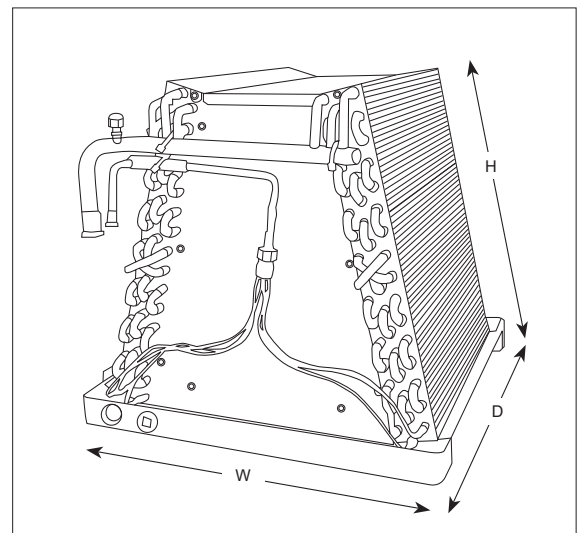
SERVICE COIL DIMENSIONS

Coil Model	Nominal Tonnage	Dimensions			Weight	Pallet Qty	R-22 Piston
		Pan Widths (W)"	Pan Depth (D)"	Coil Height (H)"			
CMH18/24PM3M	1.5 - 2	18"	19.5"	11"	22	8	0.053
CMH36PM3M	3	18"	19.5"	15"	28	8	0.073
CMH42/60PM3M	3.5 - 5	18"	19.5"	19"	45	8	*0.093

Coils are shipped with R-410A pistons already installed. *Same Piston is used for R-22 and R-410A
These are Replacement Service Coils "Only" and are not RATED. For Manufactured Housing Use Only

PISTONS

Description	Piston Size	Part Number	Tonnage Outdoor Unit
R-22 Pistons	41	176799941	12
	53	176799953	18
	59	176799959	24
	67	176799967	30
	73	176799973	36
	80	176799980	42
	84	176799984	48
	93	176799993	60
R-410A Pistons	41	176799941	12
	49	176799949	18
	53	176799953	24
	59	176799959	30
	67	176799967	36
	73	176799973	42
	76	176799976	48
	93	176799993	60



"This product complies with all California product labeling laws including, but not limited to, the Safe Drinking Water and Toxic Enforcement Act of 1986, more commonly known as Proposition 65."

Nortek-Style Manufactured Housing Furnaces



Due to ongoing product improvements, specifications and dimensions are subject to change and correction without notice or incurring obligations. Determining the application and suitability for use of any product is the responsibility of the installer. Additionally, the installer is responsible for verifying dimensional data on the actual product prior to beginning any installation preparations. Third party incentive and rebate programs have precise requirements as to product performance and certification. All products meet applicable regulations in effect on date of manufacture; however, certifications are not necessarily granted for the life of a product. Therefore, it is the responsibility of the applicant to determine whether a specific model qualifies for these incentive/rebate programs.

"This product complies with all California product labeling laws including, but not limited to, the Safe Drinking Water and Toxic Enforcement Act of 1986, more commonly known as Proposition 65."

SP-1M 9/24 MH-NGUIDE

©2024 MOTORS & ARMATURES, Inc.
MARS is a registered trademark of Motors & Armatures, Inc.
Comfort-Aire is a registered trademark of Motors & Armatures, Inc.



1900 Wellworth Ave., Jackson MI 49203 • 517.787.2100 • www.comfort-aire.com • www.century-hvac.com

